



VHF MARINE TRANSCEIVER

# IC-M304

## Submersible compact body with large LCD and powerful audio



### Compact and submersible

Equivalent to IPX7 (1m depth for 30 minutes, except cables).

### Large easy-to-see LCD

Shows full size channel number with 4-step backlighting.

### Built-in DSC

For distress calls, or for position request/position report.

### New Force5Audio™ speaker

Delivers impressive audio output with powerful bass.

### Favorite channel function

Offers quick channel selection from the microphone up/down buttons.

### AquaQuake draining function

The vibrating “buzz” sound clears water away from the speaker grill.

### Weather channel with weather alert

Listen for important weather broadcasts.

### Dualwatch and Tri-watch functions

Monitors Ch.16 and/or call channel, while using another channel.

## SPECIFICATIONS

### GENERAL

- Frequency range : Tx 156.025–157.425MHz  
Rx 156.050–163.275MHz
- Usable channels : USA, CAN, INT, WX channels
- Type of emission : 16K0G3E, 16K0G2B
- Power supply : 13.8V DC  $\pm$ 15%
- Current drain : Tx 5.5A (at 25W output) (at 13.8V DC)  
Rx 1.5A (at AF max.)
- Operating temperature range:  $-20^{\circ}\text{C}$  to  $+60^{\circ}\text{C}$ ;  $-4^{\circ}\text{F}$  to  $+140^{\circ}\text{F}$
- Antenna impedance: 50 $\Omega$  (SO-239)
- Dimensions (WxHxD, projections not included) : 153x67x133mm ; 6.02x2.64x5.24 in.
- Weight (approx.) : 825g; 1.8lb
- NMEA formats : NMEA version 2.0 or 3.01 RMC, GGA, GNS, GLL

Measurements made in accordance with TIA/EIA 603. All stated specifications are subject to change without notice or obligation.

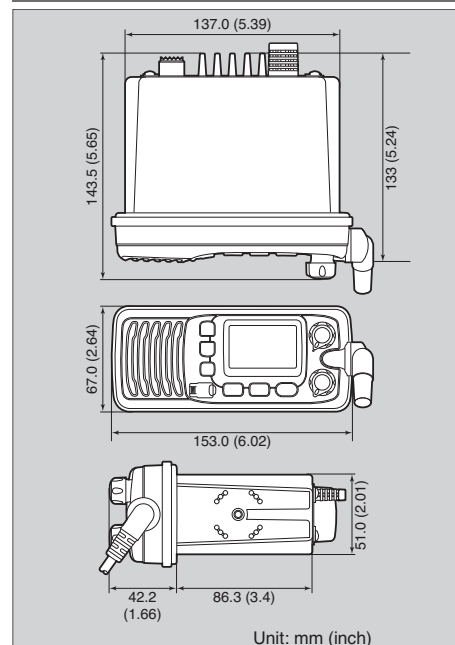
### TRANSMITTER

- Output power : 25W, 1W (at 13.8V DC)
- Modulation system : Variable reactance frequency modulation
- Max. freq. deviation :  $\pm$ 5kHz
- Frequency error :  $\pm$ 10ppm
- Spurious emissions: Less than  $-70\text{dBc}$  (at 25W)
- Adj. channel power : More than 70dB
- Audio harmonic distortion : Less than 10% (at 60% dev.)
- Residual modulation: More than 40dB

### RECEIVER

- Intermediate freq. : 1st 21.7MHz, 2nd 450kHz
- Sensitivity : 0.22 $\mu\text{V}$  typical at 12dB SINAD
- Squelch sensitivity: Less than 0.22 $\mu\text{V}$
- Adj. Ch. selectivity : More than 70dB
- Spurious response: More than 70dB
- Intermodulation : More than 70dB
- Hum and noise : More than 40dB
- Audio output power : 4.5W typical at 10% distortion with a 4 $\Omega$  load

### DIMENSIONS



## OPTIONS

- **HM-164B/164SW/164G** HAND MICROPHONE  
Black, super white and gray are available. Same as supplied.

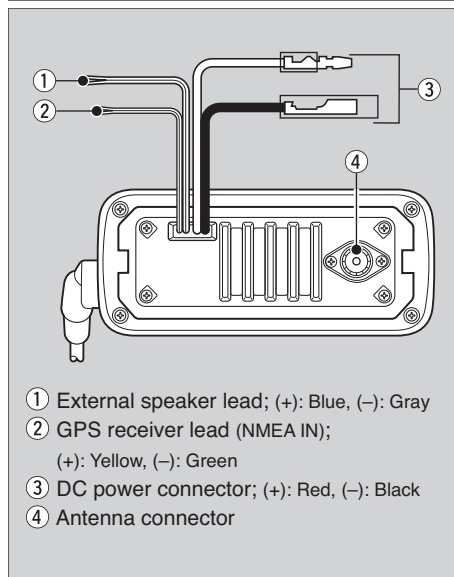
- **MB-69**  
FLUSH MOUNT KIT  
For flush-mounting the IC-M304 to a flat surface such as an instrument control panel.



- **MB-92** DUST COVER  
Protects the IC-M304 from dust and strong sunlight when the radio is not in use.



### REAR PANEL CONNECTIONS



### Color versions:

- Black
- Super white
- Gray

### Supplied accessories:

- Hand microphone
- DC power cable
- Mounting bracket kit

### Applicable U.S. Military Specifications

Standard	MIL 810 F	
	Method	Procedure
Temperature Shock	503.4	I
Rain Blowing/Drip	506.4	I, III
Humidity	507.4	-
Salt Fog	509.4	-
Immersion	512.4	I
Vibration	514.5	I
Shock	516.5	I, IV

Also meets equivalent MIL-STD-810-C, -D and -E.



The "3D GENUINE Icom label" is attached to the bottom of the case. Check the Icom website for details: <http://www.icom.co.jp/world/genuine-info/>

Icom, Icom Inc. and the Icom logo are registered trademarks of Icom Incorporated (Japan) in the United States, the United Kingdom, Germany, France, Spain, Russia, Japan and/or other countries. FORCE5AUDIO logo is a registered trademark of Icom Inc. (Japan) in the United States.

Icom Inc.

1-1-32, Kami-minami, Hirano-Ku, Osaka 547-0003, Japan Phone: +81 (06) 6793 5302 Fax: +81 (06) 6793 0013

[www.icom.co.jp/world](http://www.icom.co.jp/world)

Count on us!

### Icom America Inc.

12421 Willows Road NE,  
Kirkland, WA 98034, U.S.A.  
Phone: +1 (425) 454-8155  
Fax: +1 (425) 454-1509  
E-mail: [sales@icomamerica.com](mailto:sales@icomamerica.com)  
URL: <http://www.icomamerica.com>

### Icom (Europe) GmbH

Communication Equipment  
Auf der Krautweide 24  
65812 Bad Soden am Taunus, Germany  
Phone: +49 (6196) 76685-0  
Fax: +49 (6196) 76685-50  
E-mail: [info@icomeurope.com](mailto:info@icomeurope.com)  
URL: <http://www.icomeurope.com>

### Icom France s.a.s.

Zac de la Plaine,  
1 Rue Bréjeon des Moulinais, BP 45804,  
31505 Toulouse Cedex 5, France  
Phone: +33 (5) 61 36 03 03  
Fax: +33 (5) 61 36 03 00  
E-mail: [icom@icom-france.com](mailto:icom@icom-france.com)  
URL: <http://www.icom-france.com>

### Asia Icom Inc.

6F No. 68, Sec. 1 Cheng-Teh Road,  
Taipei, Taiwan, R.O.C.  
Phone: +886 (02) 2559 1899  
Fax: +886 (02) 2559 1874  
E-mail: [sales@asia-icom.com](mailto:sales@asia-icom.com)  
URL: <http://www.asia-icom.com>

Your local distributor/dealer:

### Icom Canada

Glenwood Centre #150-6165  
Highway 17A, Delta, B.C.,  
V4K 5B8, Canada  
Phone: +1 (604) 952-4266  
Fax: +1 (604) 952-0090  
E-mail: [info@icomcanada.com](mailto:info@icomcanada.com)  
URL: <http://www.icomcanada.com>

### Icom Spain S.L.

Ctra. Rubi, No. 88 "Edificio Can Castanyer"  
Bajos A 08174, Sant Cugat del Valles,  
Barcelona, Spain  
Phone: +34 (93) 590 26 70  
Fax: +34 (93) 589 04 46  
E-mail: [icom@icomspain.com](mailto:icom@icomspain.com)  
URL: <http://www.icomspain.com>

### Icom (Australia) Pty. Ltd.

Unit 1 / 103 Garden Road,  
Clayton, VIC 3168 Australia  
Phone: +61 (03) 9549 7500  
Fax: +61 (03) 9549 7505  
E-mail: [sales@icom.net.au](mailto:sales@icom.net.au)  
URL: <http://www.icom.net.au>

### Icom Brazil

Rua Itororó, 444 Padre Eustáquio  
Belo Horizonte MG,  
CEP: 30720-450, Brazil  
Phone: +55 (31) 3582 8847  
Fax: +55 (31) 3582 8987  
E-mail: [sales@icombrazil.com](mailto:sales@icombrazil.com)

### Icom (UK) Ltd.

Blacksole House, Altira Park,  
Herne Bay, Kent, CT6 6GZ, U.K.  
Phone: +44 (0) 1227 741741  
Fax: +44 (0) 1227 741742  
E-mail: [info@icomuk.co.uk](mailto:info@icomuk.co.uk)  
URL: <http://www.icomuk.co.uk>

### Icom New Zealand

39C Rennie Drive, Airport Oaks,  
Auckland, New Zealand  
Phone: +64 (09) 274 4062  
Fax: +64 (09) 274 4708  
E-mail: [inquiries@icom.co.nz](mailto:inquiries@icom.co.nz)  
URL: <http://www.icom.co.nz>