



VHF MARINE TRANSCEIVERS

# IC-M324G

(With GPS Receiver)

# IC-M324

(Without GPS Receiver)

## Top Performance, Great Value



IC-M324G Black Version



**Built-in GPS Receiver Simplifies Installation**  
(IC-M324G only)



**Icom Marine Family User Interface**



**High-Definition Dot-Matrix Display**



**Meets Latest Class D DSC Specifications**



**IPX7 Submersible Protection**  
1m Depth of Water for 30 Minutes



**Common NMEA Interface**  
For External GPS/NAV Connection



**AquaQuake™ Draining Function**



**MA-500TR AIS Transponder Compatible**



**MarineCommander™ Compatible**



IC-M324 Super White Version

### Built-in GPS Receiver (IC-M324G only)

The built-in GPS receiver shows your current position and time and can be used for DSC calls. GPS data source is selectable from internal and external GPS (and GPS-OFF setting).

### Intuitive User Interface

Icom's common Marine Family User Interface provides simple operation for the boat owner. A rotary selector and directional keypad provide intuitive operation. The high-definition dot-matrix display allows all information to be clearly viewed.

### Built-in Class D DSC

The built-in DSC watch function monitors Ch. 70 (DSC channel) activity, even while you are receiving another channel. DSC functions include: distress, individual, group, all ships, urgency, safety, position request/report, polling request and DSC test calls.

### Common NMEA Interface

When receiving DSC information from another vessel, the IC-M324/G can transfer it to a navigational device via NMEA 0183 connectivity.

### Compatible with MA-500TR Class B AIS Transponder

The IC-M324/G can be integrated with the MA-500TR Class B AIS Transponder, which allows you to transmit DSC individual calls to a selected vessel instantly without manual MMSI entry. It is very handy if you are waiting to contact vessels on the AIS screen - an essential safety feature in an emergency.

### IPX7 Submersible Protection

The IC-M324/G withstands submersion in up to 1.0 m depth of water for 30 minutes. It is equivalent to the IPX7 standard.

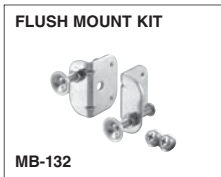
### Favorite Channel Function

This function promotes quick channel selection. Set the "Tag" channel to the channels used most often. When pushing the up/down buttons on the hand microphone, only the tagged channels are selected, while untagged channels are skipped.

### And More

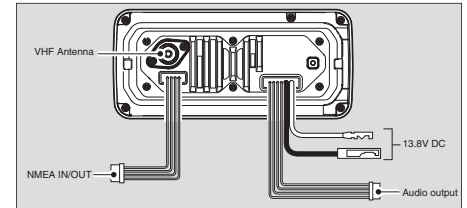
- MarineCommander™ compatible
- AquaQuake™ water draining function
- Dual/tri-watch function for monitoring Ch.16 and/or call channel
- Black and super white versions available

## OPTIONS



HM-200B/SW  
HAND MICROPHONE  
Same as supplied.

## REAR PANEL VIEW



## SPECIFICATIONS

GENERAL		
Frequency range	Tx	156.025–157.425 MHz
	Rx	156.050–163.275 MHz
	Ch. 70	156.525 MHz
Usable channels		USA, CAN, INT, WX channels
Type of emission		16K0G3E (FM), 16K0G2B (DSC)
Power supply requirement		13.8 V DC nominal (11.7–15.9 V DC)
Current drain (at 13.8 V DC)		
	Tx 25 W output	5.5 A
	Rx AF max.	1.5 A
Operating temperature range		–20°C to +60°C; –4°F to +140°F
Antenna impedance		50 Ω (SO-239)
Dimensions (W×H×D)		180×82×119.9 mm (projections not included)
Weight (approx.)		1.2 kg; 2.6 lb
NMEA in/out formats		RMC, GGA, GNS, GLL, DSC, DSE
TRANSMITTER		
Output power (at 13.8 V DC)		25 W, 1 W
Max. frequency deviation		±5.0 kHz
Frequency tolerance		±10 ppm (–20°C to +60°C)
Spurious emissions		Less than –70 dBc (High) Less than –56 dBc (Low)

RECEIVER		
Sensitivity	Main	–13 dBμ typ. (12 dB SINAD)
	Ch. 70	–5 dBμ emf typ. (1% BER)
Squelch sensitivity		Less than –10 dBμ
Adjacent channel selectivity	Main	More than 70 dB
	Ch. 70	More than 73 dBμ emf (1% BER)
Spurious response	Main	More than 70 dB
	Ch. 70	More than 73 dBμ emf (1% BER)
Intermodulation	Main	More than 70 dB
	Ch. 70	More than 68 dBμ emf (1% BER)
Hum and noise		More than 40 dB
Audio output power (at 10% distortion, 4 Ω load)		4.5 W typical

Measurements made in accordance with TIA/EIA-603. All stated specifications are subject to change without notice or obligation.

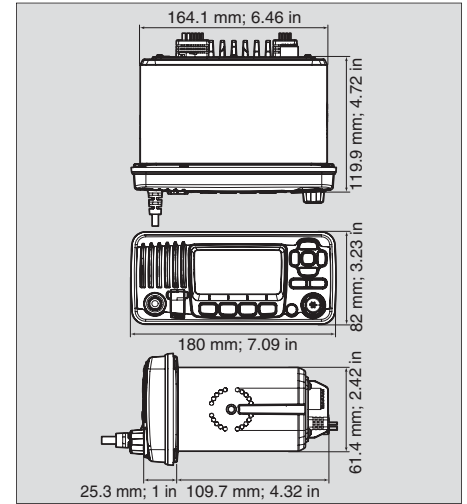
### Applicable IP Rating

Ingress Protection Standard	
Water	IPX7 (Waterproof protection)

### Supplied accessories:

- Hand microphone, HM-200B/SW
- DC power cable
- Mounting bracket kit

## DIMENSIONS



Icom, Icom Inc. and Icom logo are registered trademarks of Icom Incorporated (Japan) in Japan, the United States, the United Kingdom, Germany, France, Spain, Russia, Australia, New Zealand and/or other countries. MarineCommander and AQUAQUAKE are trademarks of Icom Inc. (Japan). All other trademarks are the properties of their respective holders.

## Icom Inc.

1-1-32, Kamiminami, Hirano-Ku, Osaka 547-0003, Japan Phone: +81 (06) 6793 5302 Fax: +81 (06) 6793 0013

[www.icom.co.jp/world](http://www.icom.co.jp/world)

## Count on us!

### Icom America Inc.

12421 Willows Road NE,  
Kirkland, WA 98034, U.S.A.  
Phone: +1 (425) 454-8155  
Fax: +1 (425) 454-1509  
E-mail: [sales@icomamerica.com](mailto:sales@icomamerica.com)  
URL: <http://www.icomamerica.com>

### Icom Canada

Glenwood Centre #150-6165  
Highway 17A, Delta, B.C.,  
V4K 5B8, Canada  
Phone: +1 (604) 952-4266  
Fax: +1 (604) 952-0090  
E-mail: [info@icomcanada.com](mailto:info@icomcanada.com)  
URL: <http://www.icomcanada.com>

### Icom Brazil

Rua Itororó, 444 Padre Eustáquio  
Belo Horizonte MG,  
CEP: 30720-450, Brazil  
Phone: +55 (31) 3582 8847  
Fax: +55 (31) 3582 8987  
E-mail: [sales@icombrasil.com](mailto:sales@icombrasil.com)

### Icom (Europe) GmbH

Communication Equipment  
Auf der Krautweide 24  
65812 Bad Soden am Taunus, Germany  
Phone: +49 (6196) 76685-0  
Fax: +49 (6196) 76685-50  
E-mail: [info@icomeurope.com](mailto:info@icomeurope.com)  
URL: <http://www.icomeurope.com>

### Icom Spain S.L.

Ctra. Rubi, No. 88 "Edificio Can Castanyer"  
Bajos A 08174, Sant Cugat del Valles,  
Barcelona, Spain  
Phone: +34 (93) 590 26 70  
Fax: +34 (93) 589 04 46  
E-mail: [icom@icomspain.com](mailto:icom@icomspain.com)  
URL: <http://www.icomspain.com>

### Icom (UK) Ltd.

Blacksole House, Altira Park,  
Herne Bay, Kent, CT6 6GZ, U.K.  
Phone: +44 (0) 1227 741741  
Fax: +44 (0) 1227 741742  
E-mail: [info@icomuk.co.uk](mailto:info@icomuk.co.uk)  
URL: <http://www.icomuk.co.uk>

### Icom France s.a.s.

Zac de la Plaine,  
1 Rue Brindejonc des Moulinais, BP 45804,  
31505 Toulouse Cedex 5, France  
Phone: +33 (5) 61 36 03 03  
Fax: +33 (5) 61 36 03 00  
E-mail: [icom@icom-france.com](mailto:icom@icom-france.com)  
URL: <http://www.icom-france.com>

### Icom (Australia) Pty. Ltd.

Unit 1 / 103 Garden Road,  
Clayton, VIC 3168 Australia  
Phone: +61 (03) 9549 7500  
Fax: +61 (03) 9549 7505  
E-mail: [sales@icom.net.au](mailto:sales@icom.net.au)  
URL: <http://www.icom.net.au>

Your local distributor/dealer: