



VHF MARINE TRANSCEIVER

IC-M400BB



Installation example

Black Box Transceiver When Space is at a Premium



**Space Saving,
Fully Functional VHF/DSC**



Controlled by COMMANDMIC™ HM-195B/SW
HM-195B/SW may be sold separately, depending on version.



New Icom Marine Family User Interface
Shares same user interface operation with IC-M424.



Active Noise Cancelling Technology
Reduces background noise to up to 90%.



10W Loud Audio, Public Address & Fog Horn
With external speaker.



Built-in Class D DSC
Meets latest ITU-R 493-13.



Common NMEA Interface
For GPS/NAV connection.



**MarineCommander™
Compatible**



**MA-500TR AIS Transponder
Compatible**



AquaQuake™ Draining Function
HM-195B/SW



IPX7 Submersible
1m depth water for 30 minutes.

Space-Saving, Two-Piece Configuration

The IC-M400BB consists of a two-piece, black box configuration. All function control including DSC operation, can be made from the COMMANDMIC™, HM-195B/SW, and the RF unit, IC-M400BB, can be installed in an out-of-sight place.

New Intuitive User Interface

The new menu system is shared with Icom's latest models. The bottom line of the dot-matrix display shows the software key functions which can be toggled with the left and right buttons.

Active Noise Cancelling

The built-in bidirectional active noise cancelling reduces background noise to up to 90% and improves both your transmitted voice and incoming call. Hear and be heard more clearly.

10W Loud Audio, Public Address and Foghorn

The IC-M400BB has a built-in 10W amplifier that increases the audio output from an additional external speaker. The public address function allows you to make an announcement from the microphone like a loud speaker, and the foghorn can also be emitted from the external speaker.

Built-in Class D DSC

The built-in DSC watch function monitors Ch. 70 (DSC channel) activity, even while you are receiving another channel. DSC functions include: distress, individual, group, all ships, urgency, safety, position request/report, polling request and DSC test calls.

Common NMEA Interface

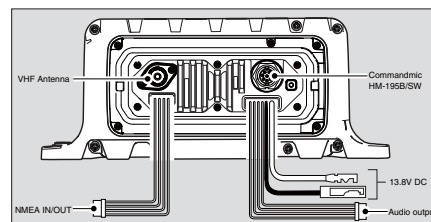
When connected to an external GPS receiver, current position and time are shown on the COMMANDMIC display.

AIS Target Call with MA-500TR

When connected to the optional MA-500TR Class B AIS transponder, the AIS target call function allows you to set up an individual DSC call from the MA-500TR.

And More

- MarineCommander™ compatible
- AquaQuake™ water draining function (HM-195B/SW)
- IPX7 submersible protection both for IC-M400BB and HM-195B/SW (1m depth for 30 minutes)
- Dual/tri-watch function for monitoring Ch. 16 and/or call channel
- Priority and normal scan



OPTIONS

COMMANDMIC™

HM-195B (Black) **HM-195SW (Super white)**

Supplied accessories

- 6.1m (20ft) of cable
- Microphone hanger
- Mounting base for connector

EXTENSION CABLE for COMMANDMIC, HM-195B/SW

OPC-1541
6.1m (20ft) extension cable. Up to two cables available.

CLASS B AIS TRANSPONDER

MA-500TR

SPECIFICATIONS

GENERAL		
Frequency range	Tx	156.025–157.425MHz
	Rx	156.050–163.275MHz
	Ch. 70	156.525MHz
Usable channels	USA, INT, CAN and WX channels	
Type of emission	16K0G3E (FM), 16K0G2B (DSC)	
Power supply requirement	13.8V DC nominal (11.7–15.9V DC)	
Current drain		
	Tx 25W output	5.5A Max.
	Rx Max. audio	3.5A Max.
Operating temperature range	–20°C to +60°C; –4°F to +140°F	
Antenna connector	50Ω (SO-239)	
Dimensions (Projections not included)	(W×H×D)	
	IC-M400BB	216×79×125mm; 8.5×3.11×4.92 in
	HM-195B/SW	67.5×144.5×37mm; 2.66×5.69×1.46 in
Weight	IC-M400BB	830g; 1.83 lb
(approx.)	HM-195B/SW	400g; 14.1 oz
NMEA in/out formats	RMC, GGA, GNS, GLL, DSC, DSE	
TRANSMITTER		
Output power	25W, 1W (High, low)	
Max. frequency deviation	±5.0kHz	
Frequency tolerance	±10ppm	
Spurious emissions	Less than –70dBc (at 25W)	

RECEIVER		
Sensitivity	Main	0.22μV typical (at 12dB SINAD)
	Ch. 70	–5dBμ emf typ. (1% BER)
Squelch sensitivity	Main	Less than 0.32μV
Adjacent channel selectivity	Main	More than 70dB
	Ch. 70	More than 73dBμ emf (1% BER)
Spurious response	Main	More than 70dB
	Ch. 70	More than 73dBμ emf (1% BER)
Intermodulation	Main	More than 70dB
	Ch. 70	More than 68dBμ emf (1% BER)
Hum and noise	More than 40dB	
Audio output power	More than 2W (HM-195B/SW)	
(at 10% distortion, 4Ω load)	More than 10W (RX Speaker)	

Measurements made in accordance with TIA/EIA 603 and IEC 62238 (Ch. 70 receiver specifications).

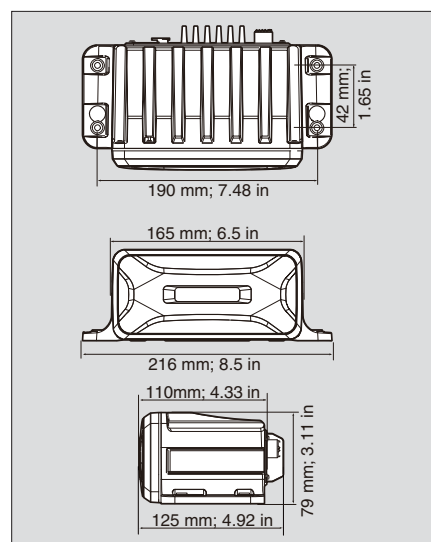
Applicable IP Rating

Ingress Protection Standard (IC-M400BB and HM-195B/SW)

Water	IPX7 (Waterproof protection)
-------	------------------------------

Supplied accessories:

- COMMANDMIC, HM-195B/SW* • DC power cable
- * COMMANDMIC, HM-195B/SW may be sold separately, depending on version.



Icom, Icom Inc. and the Icom logo are registered trademarks of Icom Incorporated (Japan) in the United States, the United Kingdom, Germany, France, Spain, Russia, Japan and/or other countries. COMMANDMIC, MarineCommander and AQUAQUAKE are trademarks of Icom Inc. (Japan). All other trademarks are the properties of their respective holders.

Icom Inc.

1-1-32, Kami-minami, Hirano-ku, Osaka 547-0003, Japan Phone: +81 (06) 6793 5302 Fax: +81 (06) 6793 0013

www.icom.co.jp/world

Count on us!

Icom America Inc.

12421 Willows Road NE, Kirkland, WA 98034, U.S.A.
Phone : +1 (425) 454-8155
Fax : +1 (425) 454-1509
E-mail : sales@icomamerica.com
URL : <http://www.icomamerica.com>

Icom (Europe) GmbH

Communication Equipment
Auf der Krautweide 24
65812 Bad Soden am Taunus, Germany
Phone : +49 (6196) 76685-0
Fax : +49 (6196) 76685-50
E-mail : info@icom-europe.com
URL : <http://www.icomeurope.com>

Icom France s.a.s.

Zac de la Plaine,
1 Rue Brindejonc des Moulinais, BP 45804,
31505 Toulouse Cedex 5, France
Phone : +33 (5) 61 36 03 03
Fax : +33 (5) 61 36 03 00
E-mail : icom@icom-france.com
URL : <http://www.icom-france.com>

Asia Icom Inc.

6F No. 68, Sec. 1 Cheng-Teh Road,
Taipei, Taiwan, R.O.C.
Phone : +886 (02) 2559 1899
Fax : +886 (02) 2559 1874
E-mail : sales@asia-icom.com
URL : <http://www.asia-icom.com>

Your local distributor/dealer:

Icom Canada

Glenwood Centre #150-6165
Highway 17A, Delta, B.C.,
V4K 5B8, Canada
Phone : +1 (604) 952-4266
Fax : +1 (604) 952-0090
E-mail : info@icomcanada.com
URL : <http://www.icomcanada.com>

Icom Spain S.L.

Ctra. Rubi, No. 88 "Edificio Can Castanyer"
Bajos A 08174, Sant Cugat del Valles,
Barcelona, Spain
Phone : +34 (93) 590 26 70
Fax : +34 (93) 589 04 46
E-mail : icom@icomspain.com
URL : <http://www.icomspain.com>

Icom (Australia) Pty. Ltd.

Unit 1 / 103 Garden Road,
Clayton, VIC 3168 Australia
Phone : +61 (03) 9549 7500
Fax : +61 (03) 9549 7505
E-mail : sales@icom.net.au
URL : <http://www.icom.net.au>

Icom Brazil

Rua Ibororó, 444 Padre Eustáquio
Belo Horizonte MG,
CEP: 30720-450, Brazil
Phone : +55 (31) 3582 8847
Fax : +55 (31) 3582 8987
E-mail : sales@icombrasil.com

Icom (UK) Ltd.

Blacksole House, Altira Park,
Herne Bay, Kent, CT6 6GZ, U.K.
Phone : +44 (0) 1227 741741
Fax : +44 (0) 1227 741742
E-mail : info@icomuk.co.uk
URL : <http://www.icomuk.co.uk>

Icom New Zealand

39C Rennie Drive, Airport Oaks,
Auckland, New Zealand
Phone : +64 (09) 274 4062
Fax : +64 (09) 274 4708
E-mail : inquiries@icom.co.nz
URL : <http://www.icom.co.nz>