

# MR-1000RII

(10-inch CRT, 4kW Radome Scanner)

# MR-1000TII

(10-inch CRT, 4kW Open Array Scanner)

# MR-1000TIII

(10-inch CRT, 6kW Open Array Scanner)



● 10-inch Display Unit

## Easy-to-See 10-inch CRT Display with Simplified Automatic Tracking Aid Function

- **8-level Bright Picture on 10-inch Monochrome Green CRT**
- **Three Types of Scanner Units**
  - MR-1000RII: 36NM range, 4kW radome scanner
  - MR-1000TII: 48NM range, 4kW open array scanner
  - MR-1000TIII: 72NM range, 6kW open array scanner
- **Simplified ATA (Automatic Tracking Aid) Function**  
See overleaf for details.
- **External GPS and Compass Data Input with NMEA0183, N+1, AUX Format**
- **English and Korean Indication**
- **Improved STC (Sensitivity Time Control) and Sidelobe for Small Target Detection**
- **North-up, Course-up, Head-up & True-motion**  
Bearing, speed and position data required, depends on display mode.



● 2ft (60cm) radome scanner for MR-1000RII



● 4ft (120cm) open array scanner for MR-1000TII/MR-1000TIII

## OTHER FEATURES

- The MR-1000RII/TII/TIII provides many useful features : 2 EBL's, 2 VRM's, SEA clutter, RAIN clutter, Off center, Interference reduction, Echo stretch, Zoom, Trail, long pulse and automatic calibration function.
- When connected to the GPS and/or compass, the MR-1000RII/TII/TIII displays the following information: Course-up, North-up, True motion indication, own and other vessel's speed, position and course, waypoint and man over-board point.

- Simplified Automatic Tracking Aid allows you to plot up to 10 targets and the radar automatically traces the targets.
- The CPA (Closest Point Approach) and TCPA (Time to CPA) alarm gives an audible warning when the tracking targets come within the set range or time.
- Power saver function pauses the scanning for a preset time and conserves battery consumption. When used with the zone alarm function, the CRT display is turned off until an object enters the programmed alarm zone.

## SPECIFICATIONS

## DISPLAY UNIT

- |                               |  |                      |                                  |
|-------------------------------|--|----------------------|----------------------------------|
| • Display type                | : 10-inch monochrome green CRT                     | • Preheat time       | : 90 seconds                     |
| • Resolution                  | : 640x480 dots                                     | • Power supply       | : 10.2-42V DC                    |
| • Minimum range               | : 25m (1/8 NM range)                               | • Power consumption  | :                                |
| • Maximum range               | :  | MR-1000RII           | 60W (approx.)                    |
| MR-1000RII                    | 36NM   | MR-1000TII           | 70W (approx.)                    |
| MR-1000TII                    | 48NM   | MR-1000TIII          | 80W (approx.)                    |
| MR-1000TIII                   | 72NM   | • Usable Temp. range | : -15°C to +55°C; +5°F to +131°F |
| • Measurement range (unit:NM) | :  | • Unit of distance   | : NM (nautical mile), km         |
|                               | 1/8, 1/4, 1/2, 3/4, 1, 1.5, 2, 3, 4, 6, 8, 12, 16, | • Input data format  | : NMEA 0183, N+1, AUX            |
|                               | 24, 32, 36, 48*, 64**2, 72**2                      | • Output data format | : NMEA 0183                      |
|                               | (* MR-1000TII/TIII only ** MR-1000TIII only)       |                      |                                  |

## SCANNER UNIT

- |                              |                                   |  |
|------------------------------|-----------------------------------|--|
| • Model Name                 | : MR-1000RII                      | MR-1000TII/MR-1000TIII                   |
| • Type                       | : 2ft (60cm) radome scanner       | 4ft (120cm) open array scanner           |
| • Rotation speed             | : 24, 36rpm typ.                  | 22°, 24, 36rpm typ. (* MR-1000TIII only) |
| • Beamwidth                  | Horizontal beam                   | 2° typ.                                  |
|                              | Vertical beam                     | : 22° typ.                               |
| • Sidelobe                   | : -22dB typ.                      | -24dB typ.                               |
| • Usable temperature range   | : -25°C to +70°C; -13°F to +158°F | -25°C to +70°C; -13°F to +158°F          |
| • Usable humidity range      | : Less than 95% (at 40°C)         | Less than 95% (at 40°C)                  |
| • Frequency                  | : 9410MHz ±30MHz                  | 9410MHz ±30MHz                           |
| • Modulation                 | : P0N                             | P0N                                      |
| • Peak output power          | : 4kW                             | 4kW (MR-1000TII)                         |
|                              |                                   | 6kW (MR-1000TIII)                        |
| • Pulse-width/Reception rate | : 80nS/2160Hz, 80nS/1440Hz,       | 80nS/2160Hz, 80nS/1440Hz,                |
|                              | 250nS/1440Hz, 350nS/1440Hz,       | 250nS/1440Hz, 350nS/1440Hz,              |
|                              | 350nS/720Hz, 900nS/720Hz          | 350nS/720Hz, 900nS/720Hz,                |
|                              |                                   | 900nS/660Hz* (* MR-1000TIII only)        |
| • Modulator                  | : FET switching                   | FET switching                            |
| • Intermediate frequency     | : 60MHz                           | 60MHz                                    |
| • IF passband width          | : 10MHz, 3MHz                     | 10MHz, 3MHz                              |
| • Tuning                     | : Auto or manual                  | Auto or manual                           |
| • System cable               | : 15m (49.2ft); OPC-1188A         | 20m (65.6ft); OPC-1189A                  |

All stated specifications are subject to change without notice or obligation.

## OPTIONS

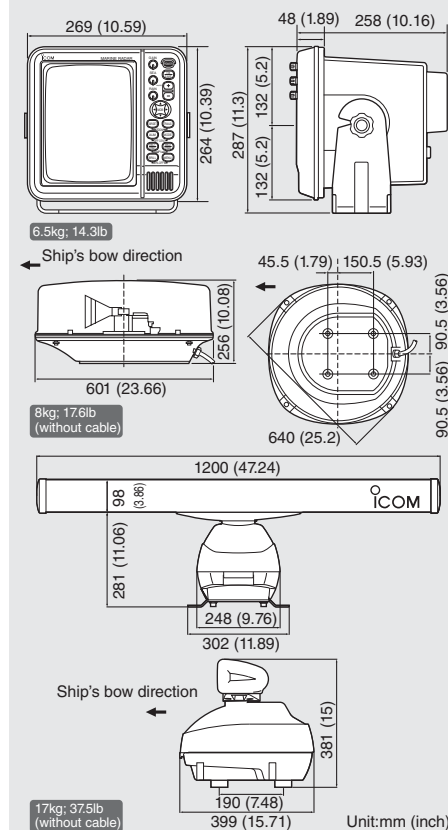


OPC-1077A

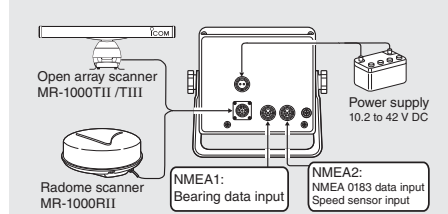
OPC-1077A 20m (65.6ft) SYSTEM CABLE

OPC-1078A 30m (98.4ft) SYSTEM CABLE

## DIMENSIONS



## SYSTEM CONNECTION



Icom, Icom Inc. and the Icom logo are registered trademarks of Icom Incorporated (Japan) in the United States, the United Kingdom, Germany, France, Spain, Russia, Japan and/or other countries.

Icom Inc. 1-1-32, Kami-minami, Hirano-ku, Osaka 547-0003, Japan Phone: +81 (06) 6793 5302 Fax: +81 (06) 6793 0013

www.icom.co.jp/world

Count on us!

## Icom America Inc.

2380 116th Avenue NE,  
Bellevue, WA 98004, U.S.A.  
Phone : +1 (425) 454-8155  
Fax : +1 (425) 454-1509  
E-mail : sales@icomamerica.com  
URL : http://www.icomamerica.com

## Icom New Zealand

146A Harris Road, East Tamaki,  
Auckland, New Zealand  
Phone : +64 (09) 274 4062  
Fax : +64 (09) 274 4708  
E-mail : inquiries@icom.co.nz  
URL : http://www.icom.co.nz

## Icom (UK) Ltd.

Blacksale House, Altrix Park,  
Herne Bay, Kent, CT6 6GZ, U.K.  
Phone : +44 (0) 1227 741741  
Fax : +44 (0) 1227 741742  
E-mail : info@icomuk.co.uk  
URL : http://www.icomuk.co.uk

## Asia Icom Inc.

6F No. 68, Sec. 1 Cheng-Teh Road,  
Taipei, Taiwan, R.O.C.  
Phone : +886 (02) 2559 1899  
Fax : +886 (02) 2559 1874  
E-mail : sales@asia-icom.com  
URL : http://www.asia-icom.com

Your local distributor/dealer:

## Icom Canada

Glenwood Centre #150-6165 Highway 17,  
Delta, B.C., V4K 5B8, Canada  
Phone : +1 (604) 952-4266  
Fax : +1 (604) 952-0090  
E-mail : info@icomcanada.com  
URL : http://www.icomcanada.com

## Icom (Europe) GmbH

Communication Equipment  
Auf der Krautweide 24  
65812 Bad Soden am Taunus, Germany  
Phone : +49 (6196) 76685-0  
Fax : +49 (6196) 76685-50  
E-mail : info@icomeurope.com  
URL : http://www.icomeurope.com

## Icom France s.a.s.

Zac de la Plaine,  
1 Rue Brindejone des Moulinais, BP 45804,  
31505 Toulouse Cedex 5, France  
Phone : +33 (5) 61 36 03 03  
Fax : +33 (5) 61 36 03 00  
E-mail : icom@icom-france.com  
URL : http://www.icom-france.com

## Icom (Australia) Pty. Ltd.

Unit 1 / 103 Garden Road,  
Clayton, VIC 3168 Australia  
Phone : +61 (03) 9549 7500  
Fax : +61 (03) 9549 7505  
E-mail : sales@icom.net.au  
URL : http://www.icom.net.au

## Icom Spain S.L.

Ctra. Rubi, No. 88 "Edificio Can Castanyer"  
Bajos A 08174, Sant Cugat del Valles,  
Barcelona, Spain  
Phone : +34 (93) 590 26 70  
Fax : +34 (93) 589 04 46  
E-mail : icom@icomspain.com  
URL : http://www.icomspain.com

## Icom Polska

81-850 Sopot, ul. 3 Maja 54, Poland  
Phone : +48 (58) 550 7135  
Fax : +48 (58) 551 0484  
E-mail : icompolska@icompolska.com.pl  
URL : http://www.icompolska.com.pl