

Large 12.1-inch TFT Display Provides Clear Radar Images for Increased Navigation Safety



2-feet (60cm) radome scanner

- **36NM Range, 4kW Radome Scanner**
- **12.1-inch Large TFT Display (600x800 dots) Slim Depth (119.2mm) and Light Weight (4.5kg)**
- **AIS Overlay Function (AIS data required separately)**
- **Simplified ATA (Automatic Tracking Aid) Function**
- **English, Korean and Indonesian Indication**
- **Improved STC and Sidelobe for Small Target Detection**

Display colors can be switched between Green and Red



Green



Red

OTHER FEATURES

- The MR-1200RII provides many useful features : 2 EBL's, 2 VRM's, sea clutter, rain clutter, off center, interference reduction, echo stretch, zoom, trail, long pulse and automatic tuning calibration function.
- When used with external AIS data, the position and course information of the other vessels are overlaid on the radar image. You can see up to 100 AIS targets and check detailed information of each individual vessel such as speed, course, heading, vessel type and size.

- The simplified ATA function* allows you to track up to 10 vessels with symbol icons. The CPA (Closest Point of Approach) and TCPA (Time to Closest Point of Approach) limits can be calculated and give an audible warning when any of the target vessels comes within the set range or time.

- If a crew member falls overboard, mark the MOB (man overboard) point on the display. The man overboard marker keeps the position on the display and shows the bearing, distance and estimated time to the MOB point*.

* External NMEA 0183 data and heading sensor required.

SPECIFICATIONS

DISPLAY UNIT	
Display type	12.1-inch TFT LCD
Resolution	600x800 dots
Minimum range	25m (at 1/8 NM range)
Maximum range	36 NM
Range scales	1/8, 1/4, 1/2, 3/4, 1, 1.5, 2, 3, 4, 6, 8, 12, 16, 24, 32, 36 NM
Preheat time	90 seconds
Power supply	10.2-42V DC
Power consumption (at zero wind velocity)	60W (approx.)
Usable temperature range	-15°C to +55°C; +5°F to +131°F
Input data format	NMEA 0183, N+1, AUX, IEC61162-2
Output data format	NMEA 0183
SCANNER UNIT	
Type	2ft (60cm) radome scanner
Rotation speed	24, 36rpm typ.
Horizontal beamwidth	4° typ.
Vertical beamwidth	22° typ.
Sidelobe	-22dB typ.
Usable temperature range	-25°C to +70°C; -13°F to +158°F
Usable humidity range	Less than 95% (at 40°C)
Frequency	9410MHz ±30MHz
Modulation	P0N
Peak output power	4kW
Pulse-width/repetition rate	80nS/2160Hz, 80nS/1440Hz, 250nS/1440Hz, 350nS/1440Hz, 350nS/720Hz, 900nS/720Hz
Modulator	FET switching
Intermediate frequency	60MHz
IF bandwidth	10MHz, 3MHz
Tuning	Auto/manual selectable
Supplied system cable	15m; 49.2ft; OPC-2341

All stated specifications are subject to change without notice or obligation.

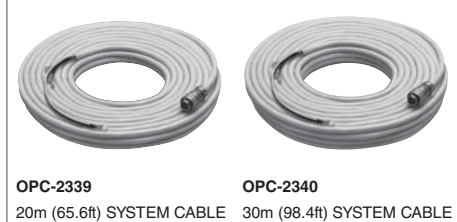
Applicable IP Rating

Ingress Protection Standard

Display unit	IPX4 (Water resistance)	Scanner unit	IPX6 (Powerful jet water protection)
--------------	-------------------------	--------------	--------------------------------------

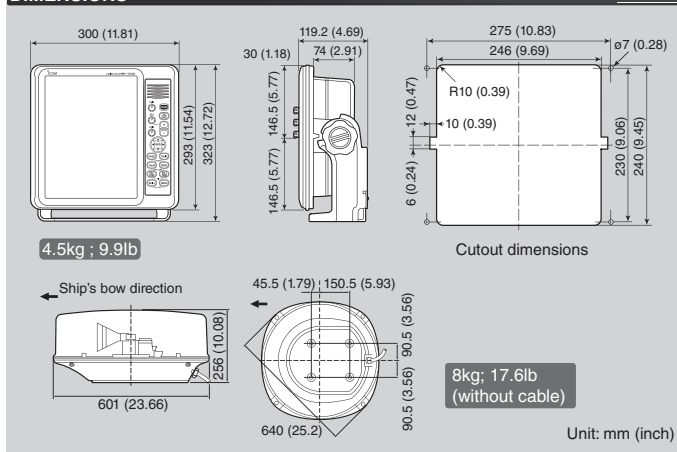
OPTIONS

SYSTEM CABLES

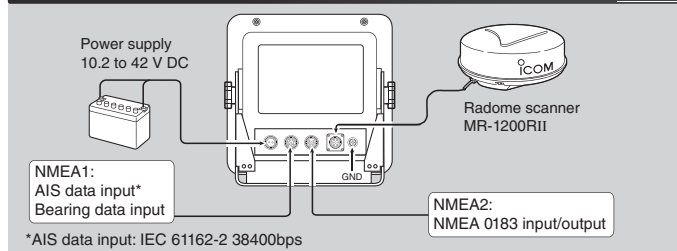


Icom, Icom Inc. and the Icom logo are registered trademarks of Icom Incorporated (Japan) in Japan, the United States, the United Kingdom, Germany, France, Spain, Russia, Australia, New Zealand, and/or other countries.

DIMENSIONS



REAR PANEL VIEW



Icom Inc.

1-1-32, Kami-minami, Hirano-ku, Osaka 547-0003, Japan Phone: +81 (06) 6793 5302 Fax: +81 (06) 6793 0013

www.icom.co.jp/world

Count on us!

Icom America Inc.

12421 Willows Road NE,
Kirkland, WA 98034, U.S.A.
Phone : +1 (425) 454-8155
Fax : +1 (425) 454-1509
E-mail : sales@icomamerica.com
URL : <http://www.icomamerica.com>

Icom (Europe) GmbH

Communication Equipment
Auf der Krautweide 24
65812 Bad Soden am Taunus, Germany
Phone : +49 (6196) 76685-0
Fax : +49 (6196) 76685-50
E-mail : info@icom-europe.com
URL : <http://www.icomeurope.com>

Icom France s.a.s.

Zac de la Plaine,
1 Rue Brindajonc des Moulinais, BP 45804,
31505 Toulouse Cedex 5, France
Phone : +33 (5) 61 36 03 03
Fax : +33 (5) 61 36 03 00
E-mail : icom@icom-france.com
URL : <http://www.icom-france.com>

Asia Icom Inc.

6F No. 68, Sec. 1 Cheng-Teh Road,
Taipei, Taiwan, R.O.C.
Phone : +886 (02) 2559 1899
Fax : +886 (02) 2559 1874
E-mail : sales@asia-icom.com
URL : <http://www.asia-icom.com>

Your local distributor/dealer:

Icom Canada

Glenwood Centre #150-6165
Highway 17A, Delta, B.C.,
V4K 5B8, Canada
Phone : +1 (604) 952-4266
Fax : +1 (604) 952-0090
E-mail : info@icomcanada.com
URL : <http://www.icomcanada.com>

Icom Spain S.L.

Ctra. Rubi, No. 88 "Edificio Can Castanyer"
Bajos A 08174, Sant Cugat del Valles,
Barcelona, Spain
Phone : +34 (93) 590 26 70
Fax : +34 (93) 589 04 46
E-mail : icom@icomspain.com
URL : <http://www.icomspain.com>

Icom (Australia) Pty. Ltd.

Unit 1 / 103 Garden Road,
Clayton, VIC 3168 Australia
Phone : +61 (03) 9549 7500
Fax : +61 (03) 9549 7505
E-mail : sales@icom.net.au
URL : <http://www.icom.net.au>

Icom Brazil

Rua Itororó, 444 Padre Eustáquio
Belo Horizonte MG,
CEP: 30720-450, Brazil
Phone : +55 (31) 3582 8847
Fax : +55 (31) 3582 8987
E-mail : sales@icombrazil.com

Icom (UK) Ltd.

Blacksole House, Altira Park,
Herne Bay, Kent, CT6 6GZ, U.K.
Phone : +44 (0) 1227 741741
Fax : +44 (0) 1227 741742
E-mail : info@icomuk.co.uk
URL : <http://www.icomuk.co.uk>

Icom New Zealand

39C Rennie Drive, Airport Oaks,
Auckland, New Zealand
Phone : +64 (09) 274 4062
Fax : +64 (09) 274 4708
E-mail : inquiries@icom.co.nz
URL : <http://www.icom.co.nz>